

Up to PL e of EN ISO 13849-1 PNOZ X10



Safety relay for monitoring E-STOP pushbuttons, safety gates and light barriers.

Unit features

- ▶ Positive-guided relay outputs:
 - 6 safety contacts (N/O), instantaneous
 - 4 auxiliary contacts (N/C), instantaneous
- ▶ Connection options for:
 - E-STOP pushbutton
 - Safety gate limit switch
 - Reset button
 - Light barriers
- ▶ LED indicator for:
 - Switch status channel 1/2
 - Supply voltage
- ▶ See order reference for unit types

- ▶ The circuit is redundant with built-in self-monitoring.
- ▶ The safety function remains effective in the case of a component failure.
- ▶ The correct opening and closing of the safety function relays is tested automatically in each on-off cycle.
- ▶ The transformer is short circuit-proof. An electronic fuse is used on a DC supply.

Approvals

PNOZ X10	
	◆
	◆
	◆

Unit description

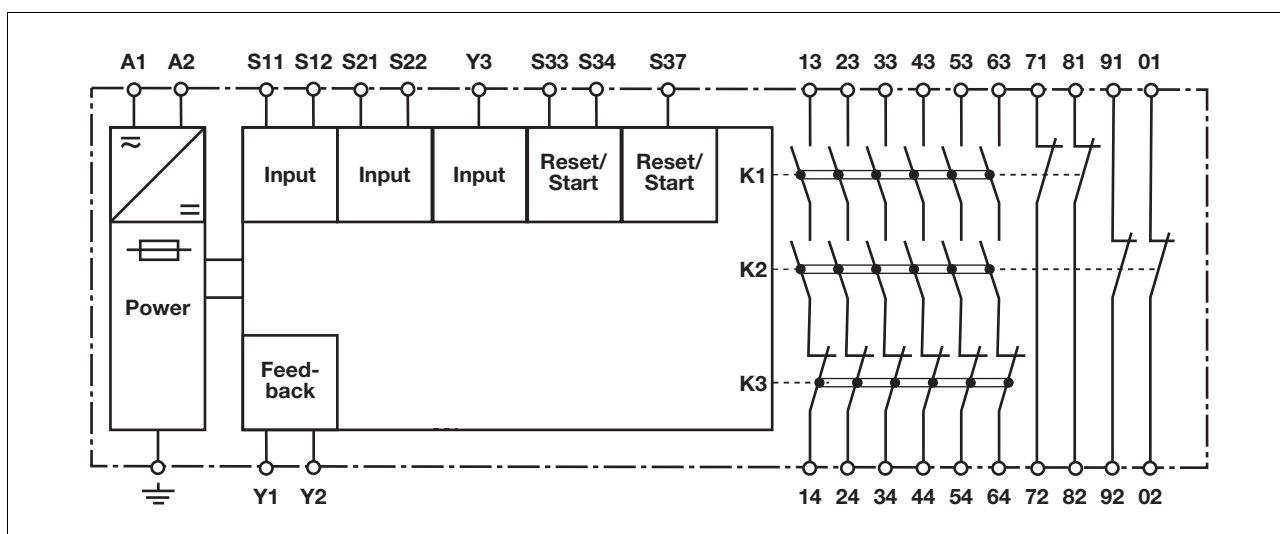
The safety relay meets the requirements of EN 60947-5-1, EN 60204-1 and VDE 0113-1 and may be used in applications with

- ▶ E-STOP pushbuttons
- ▶ Safety gates
- ▶ Light barriers

Safety features

The relay meets the following safety requirements:

Block diagram

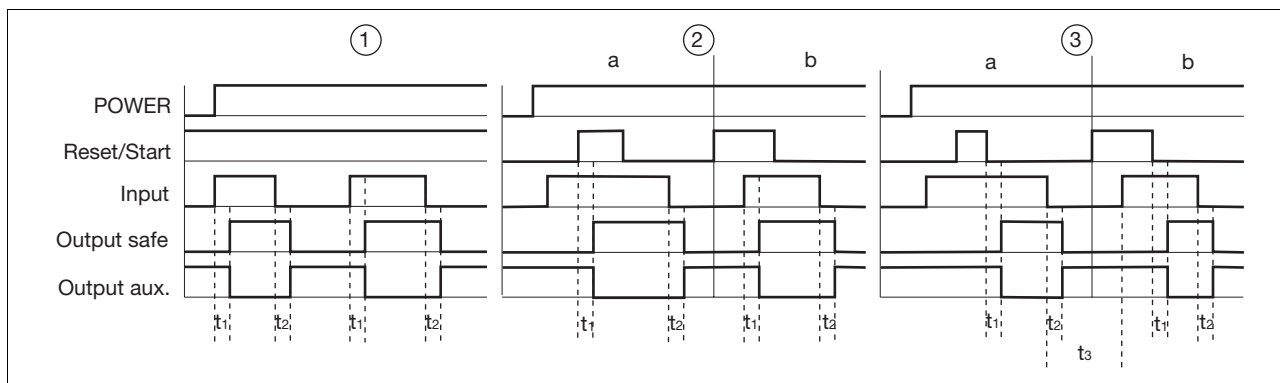


Up to PL e of EN ISO 13849-1 PNOZ X10

Function description

- ▶ Single-channel operation (only with U_B 24 VAC/DC): no redundancy in the input circuit, earth faults in the reset and input circuit are detected.
- ▶ Dual-channel operation without detection of shorts across contacts: redundant input circuit, detects
 - earth faults in the reset and input circuit,
 - short circuits in the input circuit and, with a monitored reset, in the reset circuit too.
- ▶ Dual-channel operation with detection of shorts across contacts: redundant input circuit, detects
 - earth faults in the reset and input circuit,
 - short circuits and shorts between contacts in the input circuit.
- ▶ Automatic start: Unit is active once the input circuit has been closed.
- ▶ Manual reset: Unit is active once the input circuit is closed and then the reset circuit is closed.
- ▶ Monitored reset: Unit is active once
 - the input circuit is closed and then the reset circuit is closed and opened again.
 - the reset circuit is closed and then opened again once the input circuit is closed.
- ▶ Increase in the number of available contacts by connecting contact expansion modules or external contactors/relays.

Timing diagram



Key

- ▶ Power: Supply voltage
- ▶ Reset/start: Reset circuit S33(S12)-S34
- ▶ Input: Input circuits S12-Y3, S21-S22
- ▶ Output safe: Safety contacts 13-14, 23-24, 33-34, 43-44, 53-54, 63-64
- ▶ Output aux: Auxiliary contacts 71-72, 81-82, 91-92, 01-02
- ▶ ①: Automatic reset
- ▶ ②: Manual reset
- ▶ ③: Monitored reset
- ▶ a: Input circuit closes before reset circuit
- ▶ b: Reset circuit closes before input circuit
- ▶ t_1 : Switch-on delay
- ▶ t_2 : Delay-on de-energisation
- ▶ t_3 : Recovery time

Wiring

Please note:

- ▶ Information given in the “Technical details” must be followed.
- ▶ Outputs 13-14, 23-24, 33-34, 43-44, 53-54, 63-64 are safety contacts, outputs 71-72, 81-82, 91-92, 01-02 are auxiliary contacts (e.g. for display).
- ▶ To prevent contact welding, a fuse should be connected before the output contacts (see technical details).
- ▶ Calculation of the max. cabling runs l_{max} in the input circuit:

$$l_{max} = \frac{R_{lmax}}{R_l / km}$$

R_{lmax} = max. overall cable resistance (see technical details)

R_l / km = cable resistance/km

- ▶ Use copper wire that can withstand 60/75 °C.
- ▶ Sufficient fuse protection must be provided on all output contacts with capacitive and inductive loads.

Up to PL e of EN ISO 13849-1 PNOZ X10

Preparing for operation

► Supply voltage

Supply voltage	AC	DC

► Input circuit

Input circuit	Single-channel	Dual-channel
E-STOP without detection of shorts across contacts		
E-STOP with detection of shorts across contacts		
Safety gate without detection of shorts across contacts		
Safety gate with detection of shorts across contacts		

Up to PL e of EN ISO 13849-1 PNOZ X10

▶ Reset circuit

Reset circuit	E-STOP wiring (single-channel) Safety gate (single-channel)	E-STOP wiring (dual-channel) Safety gate (dual-channel)
Automatic reset		
Manual reset		
Monitored reset		

▶ Feedback loop

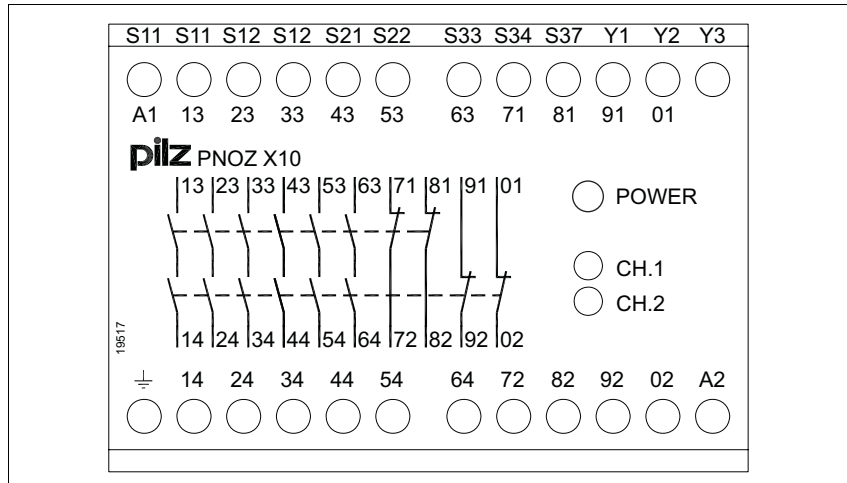
Feedback loop	Automatic reset	Monitored/manual reset
Contacts from external contactors		

▶ Key

S1/S2	E-STOP/safety gate switch
S3	Reset button
	Switch operated
	Gate open
	Gate closed

Up to PL e of EN ISO 13849-1 PNOZ X10

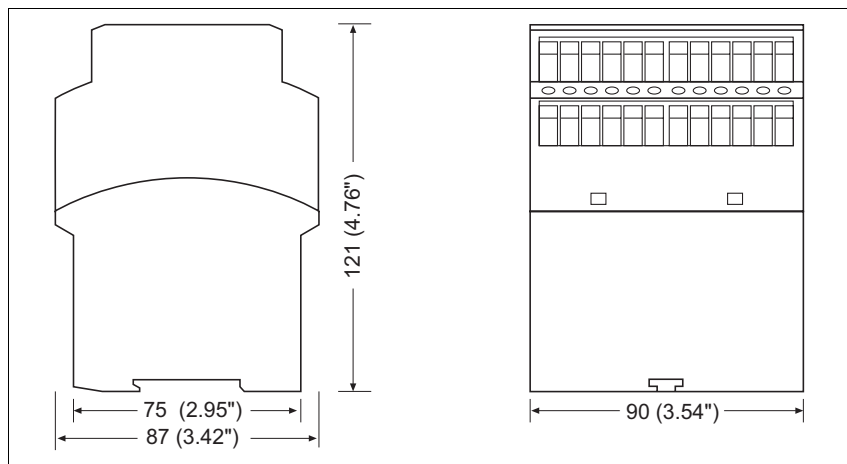
Terminal configuration



Installation

- ▶ The safety relay should be installed in a control cabinet with a protection type of at least IP54.
- ▶ Use the notch on the rear of the unit to attach it to a DIN rail.
- ▶ Ensure the unit is mounted securely on a vertical DIN rail (35 mm) by using a fixing element (e.g. retaining bracket or an end angle).

Dimensions

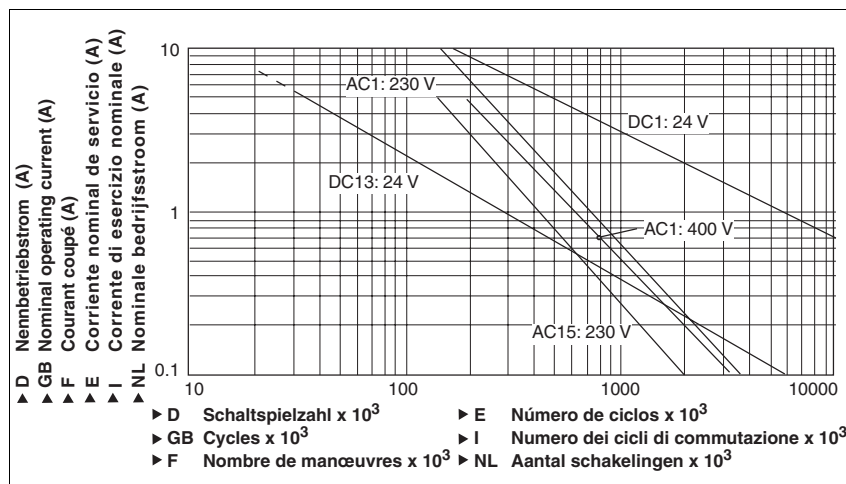


Up to PL e of EN ISO 13849-1 PNOZ X10

Notice

This data sheet is only intended for use during configuration. For installation and operation, please refer to the operating instructions supplied with the unit.

Service life graph



Technical details

Electrical data

Supply voltage	
Supply voltage U _B AC	24 V, 42 V, 110 - 120 V, 230 - 240 V
Supply voltage U _B DC	24 V
Voltage tolerance	-15 %/+10 %
Power consumption at U _B AC	10.0 VA Order no.: 774700, 774701, 774703, 774706
Power consumption at U _B DC	5.5 W Order no.: 774709
Frequency range AC	50 - 60 Hz
Residual ripple DC	160 %
Voltage and current at	
Input circuit DC: 24.0 V	50.0 mA
Reset circuit DC: 24.0 V	100.0 mA
Feedback loop DC: 24.0 V	100.0 mA
Number of output contacts	
Safety contacts (S) instantaneous:	6
Auxiliary contacts (N/C):	4
Utilisation category in accordance with EN 60947-4-1	
Safety contacts: AC1 at 240 V	I _{min} : 0.01 A , I _{max} : 8.0 A P _{max} : 2000 VA
Safety contacts: AC1 at 400 V	I _{min} : 0.01 A , I _{max} : 5.00 A P _{max} : 2000 VA
Safety contacts: DC1 at 24 V	I _{min} : 0.01 A , I _{max} : 8.0 A P _{max} : 200 W
Auxiliary contacts: AC1 at 240 V	I _{min} : 0.01 A , I _{max} : 8.0 A P _{max} : 2000 VA
Auxiliary contacts: DC1 at 24 V	I _{min} : 0.01 A , I _{max} : 8.0 A P _{max} : 200 W
Utilisation category in accordance with EN 60947-5-1	
Safety contacts: AC15 at 230 V	I _{max} : 5.0 A
Safety contacts: DC13 at 24 V (6 cycles/min)	I _{max} : 7.0 A
Auxiliary contacts: AC15 at 230 V	I _{max} : 5.0 A
Auxiliary contacts: DC13 at 24 V (6 cycles/min)	I _{max} : 7.0 A
Contact material	AgSnO2 + 0.2µ Au

Up to PL e of EN ISO 13849-1 PNOZ X10

Electrical data	
External contact fuse protection ($I_K = 1 \text{ kA}$) to EN 60947-5-1	
Blow-out fuse, quick	
Safety contacts:	10 A
Auxiliary contacts:	10 A
Blow-out fuse, slow	
Safety contacts:	6 A
Auxiliary contacts:	6 A
Circuit breaker 24 VAC/DC, characteristic B/C	
Safety contacts:	6 A
Auxiliary contacts:	6 A
Max. overall cable resistance R_{lmax} input circuits, reset circuits	
single-channel at U_B DC	45 Ohm Order no.: 774709
single-channel at U_B AC	45 Ohm Order no.: 774700, 774701, 774703, 774706
dual-channel without detect. of shorts across contacts at U_B DC	90 Ohm Order no.: 774709
dual-channel without detect. of shorts across contacts at U_B AC	90 Ohm Order no.: 774700, 774701, 774703, 774706
dual-channel with detect. of shorts across contacts at U_B DC	15 Ohm Order no.: 774709
dual-channel with detect. of shorts across contacts at U_B AC	15 Ohm Order no.: 774700, 774701, 774703, 774706
Safety-related characteristic data	
PL in accordance with EN ISO 13849-1	PL e (Cat. 4)
Category in accordance with EN 954-1	Cat. 4
SIL CL in accordance with EN IEC 62061	SIL CL 3
PFH in accordance with EN IEC 62061	2.31E-09
SIL in accordance with IEC 61511	SIL 3
PFD in accordance with IEC 61511	2.03E-06
t_M in years	20
Times	
Switch-on delay	
with automatic reset typ.	180 ms Order no.: 774700, 774701, 774703, 774706 190 ms Order no.: 774709
with automatic reset max.	250 ms
with automatic reset after power on typ.	200 ms
with automatic reset after power on max.	300 ms
with manual reset typ.	200 ms
with manual reset max.	250 ms
on monitored reset with rising edge typ.	150 ms Order no.: 774700, 774701, 774703, 774706 165 ms Order no.: 774709
on monitored reset with rising edge max.	200 ms Order no.: 774700, 774701, 774703, 774706 220 ms Order no.: 774709
Delay-on de-energisation	
with E-STOP typ.	20 ms
with E-STOP max.	30 ms
with power failure typ.	170 ms
with power failure max.	250 ms
Recovery time at max. switching frequency 1/s	
after E-STOP	50 ms
after power failure	300 ms
Min. start pulse duration with a monitored reset	
with rising edge	50 ms
Simultaneity, channel 1 and 2	150 ms
Supply interruption before de-energisation	35 ms
Environmental data	
EMC	EN 60947-5-1, EN 61000-6-2
Vibration to EN 60068-2-6	
Frequency	10 - 55 Hz
Amplitude	0.35 mm
Climatic suitability	EN 60068-2-78

Up to PL e of EN ISO 13849-1 PNOZ X10

Environmental data	
Airgap creepage in accordance with EN 60947-1	
Pollution degree	2
Overvoltage category	III
Rated insulation voltage	250 V
Rated impulse withstand voltage	4.0 kV
Ambient temperature	-10 - 55 °C
Storage temperature	-40 - 85 °C
Protection type	
Mounting (e.g. cabinet)	IP54
Housing	IP40
Terminals	IP20
Mechanical data	
Housing material	
Housing	PPO UL 94 V0
Front	ABS UL 94 V0
Cross section of external conductors with screw terminals	
1 core flexible	0.20 - 4.00 mm ² , 24 - 10 AWG
2 core, same cross section, flexible:	
with crimp connectors, without insulating sleeve	0.20 - 2.50 mm ² , 24 - 14 AWG
without crimp connectors or with TWIN crimp connectors	0.20 - 2.50 mm ² , 24 - 14 AWG
Torque setting with screw terminals	0.60 Nm
Dimensions	
Height	87.0 mm
Width	90.0 mm
Depth	121.0 mm
Weight	540 g Order no.: 774709 720 g Order no.: 774700, 774701, 774703, 774706

The standards current on **2009-04** apply.

Conventional thermal current		
Number of contacts	I_{th} (A) at U_B DC	I_{th} (A) at U_B AC
1	8.00 A Order no.: 774709	8.00 A Order no.: 774700, 774701, 774703, 774706
2	8.00 A Order no.: 774709	7.00 A Order no.: 774700, 774701, 774703, 774706
3	7.00 A Order no.: 774709	5.60 A Order no.: 774700, 774701, 774703, 774706
4	6.10 A Order no.: 774709	4.90 A Order no.: 774700, 774701, 774703, 774706
5	5.40 A Order no.: 774709	4.40 A Order no.: 774700, 774701, 774703, 774706
6	5.00 A Order no.: 774709	4.00 A Order no.: 774700, 774701, 774703, 774706

Order reference			
Type	Features	Terminals	Order no.
PNOZ X10	24 VAC	Screw terminals	774 700
PNOZ X10	42 VAC	Screw terminals	774 701
PNOZ X10	110 - 120 VAC	Screw terminals	774 703
PNOZ X10	230 - 240 VAC	Screw terminals	774 706
PNOZ X10	24 VDC	Screw terminals	774 709