

Inductive proximity sensors

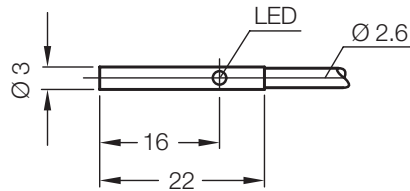
IH 03 series, sensing range 0.6 mm

DC 3-wire, miniature metal housing

Dimensions in mm



Miniature series

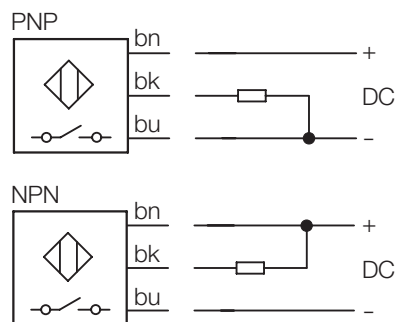


Features



- ▶ Can be installed flush
- ▶ PNP or NPN output
- ▶ Normally open function
- ▶ High switching frequency
- ▶ Short-circuit protection (pulsed)
- ▶ Solid stainless steel housing
- ▶ Cable
- ▶ Enclosure rating IP 67
- ▶ LED status indicator

Connection diagram




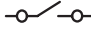


Wire colour		Assignment
bn	brown	+ V DC
bk	black	NO
bu	blue	- V DC

Electrical and mechanical data

Operating voltage U_b	10 ... 30 V DC	Short-circuit protection (pulsed)	yes
Ripple U_{pp}	$\leq 20\%$ of U_b	Reverse polarity protection	yes
Voltage drop U_d (at I_a max.)	≤ 0.6 V max.	Power-up pulse suppression	yes
Power consumption (without load)	10 mA	Enclosure rating to EN 60529	IP 67
Continuous current I_a	≤ 100 mA	Shock and vibration stress	30 g, 11 ms 10 to 55 Hz, 1 mm
Time delay before availability t_v	≤ 10 ms	Ambient temperature T_a	- 25 ... + 70 °C
Hysteresis H	10% of s_r	Housing material	Stainless steel, plastic
Repeatability R (U_b and T_a constant)	$\leq 2\%$	Connection cable	PUR, 3 x 0.055 mm ²
Temperature drift	$\pm 10\%$ of s_r		
EMC	to EN 60 947-5-2		

Selection table

Sensing range s_n mm	Installation in metal	Switching output	Output function	Switching frequency f in Hz	Connection	Type	Order number
0.6		PNP		5000	Cable 2 m	IH03-0B6PS-VU1	6020141
0.6		NPN		5000	Cable 2 m	IH03-0B6NS-VU1	6020142

Normally closed function available on request