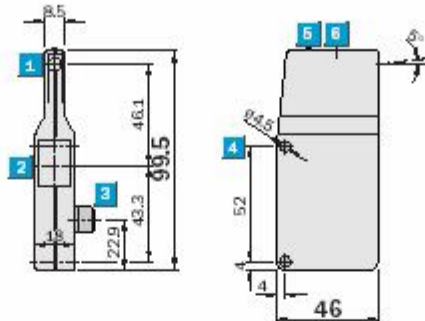

**Scanning distance**  
 300 ... 900 mm  
 Photoelectric proximity switches

- Continuously variable scanning distance
- Background suppression

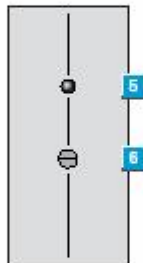
**Dimensional drawing**



**Adjustments possible**

WTR2-P521  
WTR2-P511

- 1 Centre of transmitter's optical axis
- 2 Centre of receiver's optical axis
- 3 M12 plug, 4-pin
- 4 Mounting holes  $\varnothing$  4.5
- 5 LED signal strength indicator
- 6 Scanning distance adjustment

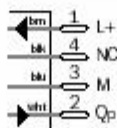


**Connection type**

WTR2-P521  
WTR2-P511



4-pin, M12



See chapter Accessories  
Cables and connectors  
Mounting systems

Technical data		WTR2-	P521	P511								
Scanning distance	300 .. 900 mm, adjustable											
Light spot diameter	Approx. 40 mm at 900 mm											
Light source <sup>1)</sup> , Light type	LED, infrared light											
Supply voltage $V_S$ <sup>2)</sup>	10 .. 30 V DC											
Ripple <sup>3)</sup>	< 5Vpp within $V_S$											
Current consumption <sup>4)</sup>	< 25 mA											
Switching outputs	Dark-switching											
	Light-switching											
	RNP: HIGH = $U_V$ - < 2 V / LOW = 0 V											
Output current $I_O$ max.	100 mA											
Switching frequency	25Q/s											
Connection type	M12 plug, 4-pin											
VDE protection class <sup>5)</sup>	II											
Circuit protection <sup>6)</sup>	A, B, C											
Enclosure rating	IP 54											
Ambient temperature	Operation -40 °C .. +60 °C											
	Storage -40 °C .. +75 °C											
Shock load	To IEC 68											
Weight	40 g											
Housing material/surface	ABS											

<sup>1)</sup> Average service life 100,000 h

at  $T_A = +25$  °C

<sup>2)</sup> Limit values

<sup>3)</sup> May not exceed or fall short of  $V_S$  tolerances

<sup>4)</sup> Without load, without valve

<sup>5)</sup> Reference voltage 50 V DC

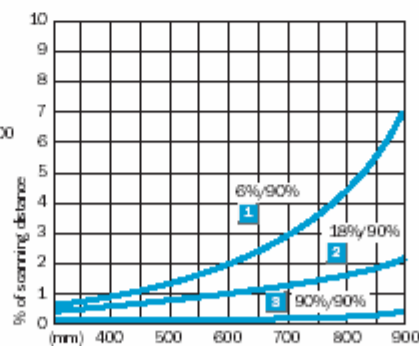
<sup>6)</sup> A = Inputs/outputs reverse-polarity protected  
B = Outputs short-circuit protected  
C = Interference pulse suppression

#### Scanning distance

1	60	900
2	20	900
3	5	900

0 (mm) 200 400 600 800 1000

- 1 Scanning distance on black, 6 % remission
- 2 Scanning distance on grey, 18 % remission
- 3 Scanning distance on white, 90 % remission



#### Order information

Type	Order no.
WTR2-P521	1015074
WTR2-P511	1015158